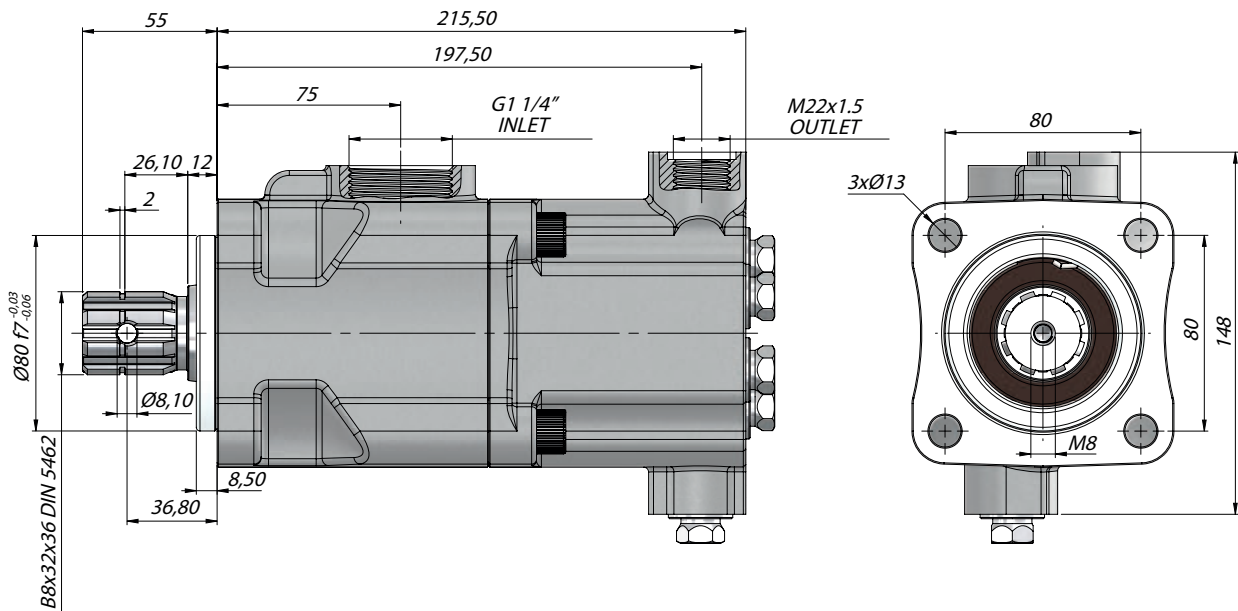


TECHNICAL DATA

6 PISTON 4 HOLES ISO PISTON PUMP



HYDRAULIC SYMBOL



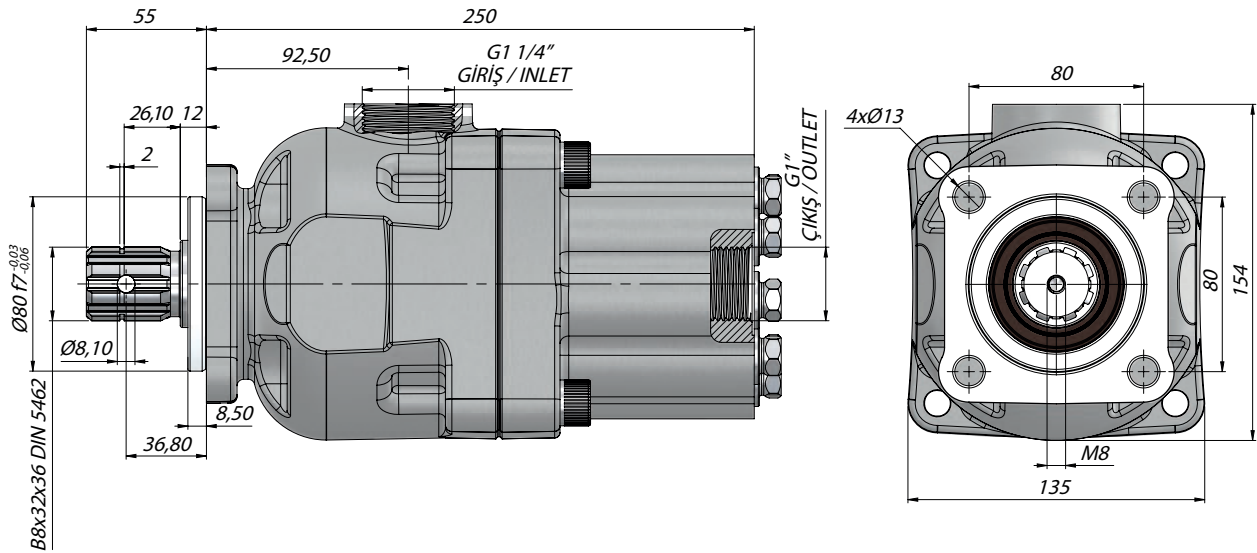
Code	Displacement	Max.Continuous Pressure	Max.Intermittent Pressure	Max.Peak Pressure	Max.Continuous Speed	Minimum Speed
BI-DIRECTIONAL	(cm ³ /rev)	(100%)(BAR)	(20 sec.max.)(BAR)	(6 sec.max.)(BAR)	(RPM)	(RPM)
KH02050260112B2	26	250	270	300	1800	300
KH02050350112B2	35					
KH02050410112B2	41					
KH02050520112B2	52					

TECHNICAL DATA

9 PISTON 4 HOLES ISO PISTON PUMP



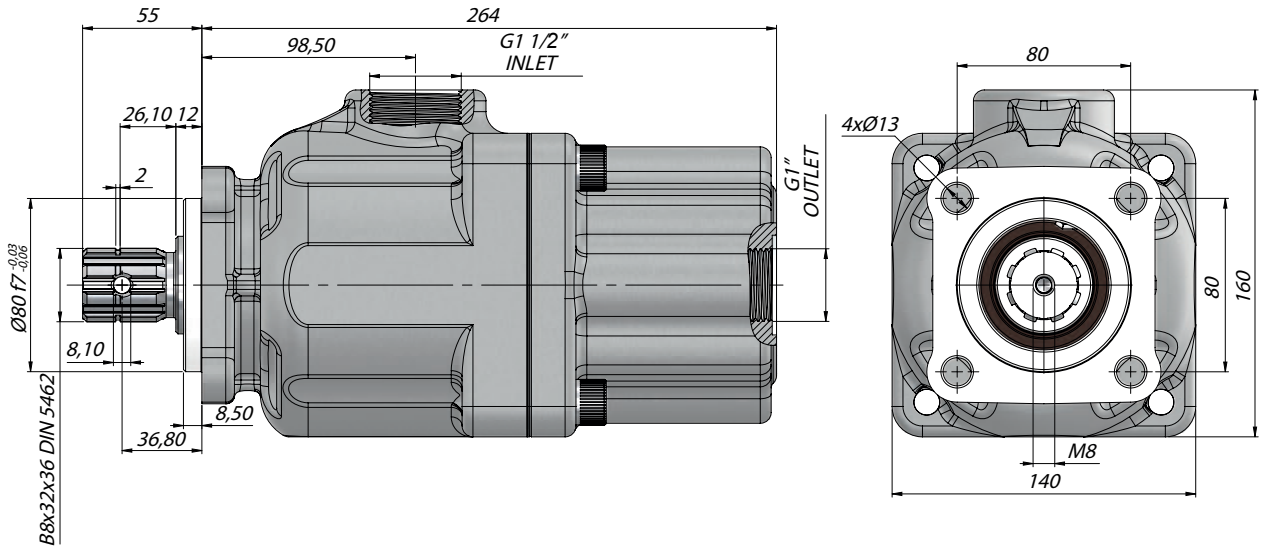
HYDRAULIC SYMBOL



Code	Displacement	Max.Continuous Pressure	Max.Intermittent Pressure	Max.Peak Pressure	Max.Continuous Speed	Minumum Speed
BI-DIRECTIONAL	(cm ³ /rev)	(100%)(BAR)	(20 sec.max.)(BAR)	(6 sec.max.)(BAR)	(RPM)	(RPM)
KH02060600112B2	60	270	285	300	1500	300
KH02060800112B2	80					

TECHNICAL DATA

10 PISTON 4 HOLES ISO PISTON PUMP



Code	Displacement	Max.Continuous Pressure	Max.Intermittent Pressure	Max.Peak Pressure	Max.Continuous Speed	Min.Speed
BI-DIRECTIONAL	(cm ³ /rev)	(100%)(BAR)	(20 sec.max.)(BAR)	(6 sec.max.)(BAR)	(RPM)	(RPM)
KH02070600112B2	60	300	320	350	1500	300
KH02070700112B2	70					
KH02070800112B2	80					
KH02070900112B2	90					
KH02071000112B2	100					